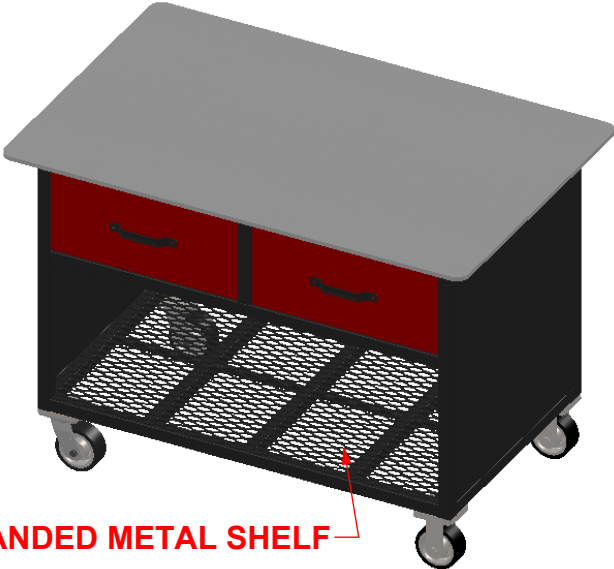
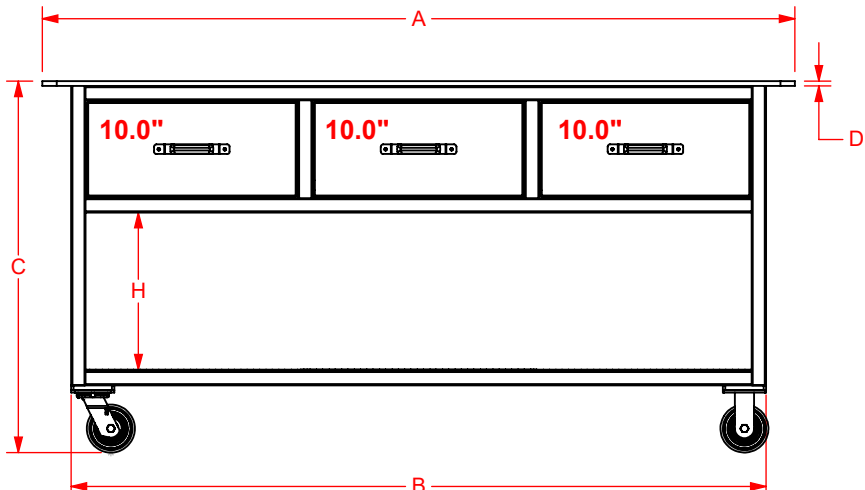
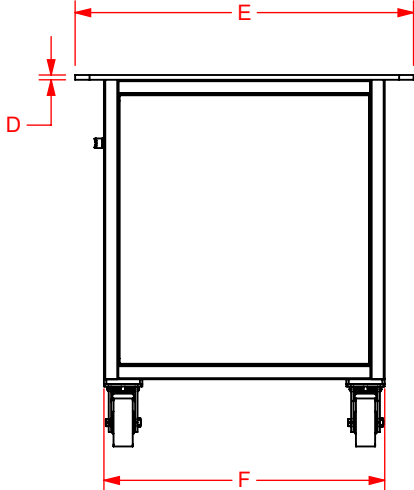
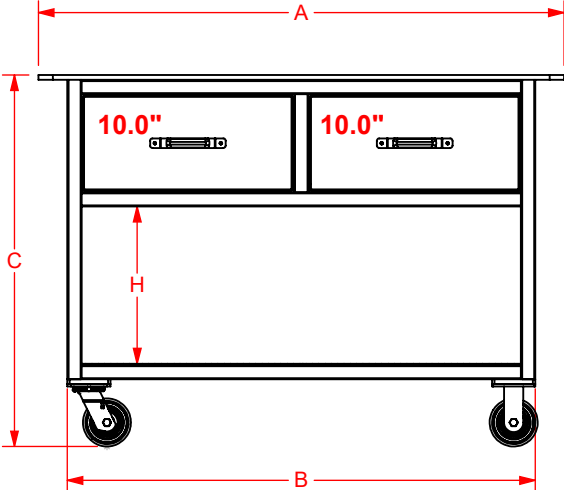
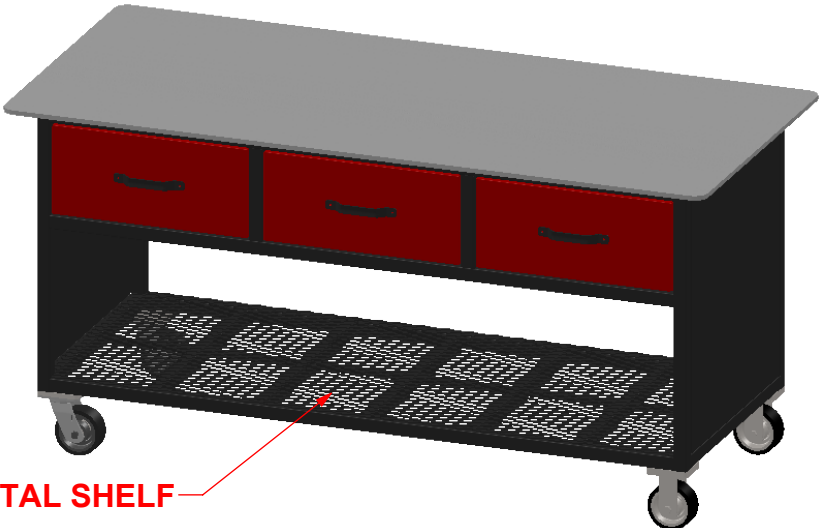


# WELDING BENCH SPECIFICATION



**EXPANDED METAL SHELF**



**EXPANDED METAL SHELF**

<b>WELDING BENCH SIZE CHART</b>							
<b>DIMENSIONS</b>	<b>A</b>	<b>B</b>	<b>C</b>	<b>D</b>	<b>E</b>	<b>F</b>	<b>H</b>
<b>4' BENCH</b>	54.75"	48.75"	38.75"	.500"	35.25"	29.25"	16.375"
<b>6' BENCH</b>	78.375"	72.375"	38.75"	.500"	35.25"	29.25"	16.375"